



SLIDING DOORS | PRODUCT SOLUTIONS



SLIDING DOORS are designed to maximize panels sizes, yielding doors with extensive areas of glass for unparalleled panoramic views. Lift-slide opening hardware fulfills a user's high expectations for optimum quality, high insulation and ease of operation. Multiple opening configurations offer flexibility between architectural aesthetics and design including corner & pocket solutions. A featured zero-level, flush, threshold provides for a continuous transition from the interior to exterior with zero grade change.



FEATURES / HIGHLIGHTS

- Mono, 2, 3 & Multi Rail Configurations
- Lift & Slide Technology
- Flat & Zero (Flush) Thresholds
- 90 Degree Corner Profiles
- Pocket Solution
- High Design - Slimline Sliding Door

WINDOW & DOOR PRODUCT SOLUTIONS

HARMONIOUSLY WORKING TOGETHER FOR MAXIMUM VISUAL APPEAL



LIFT & SLIDE DOORS | PRODUCT SOLUTIONS

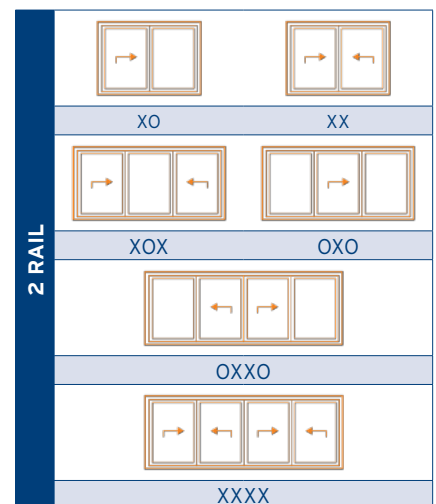
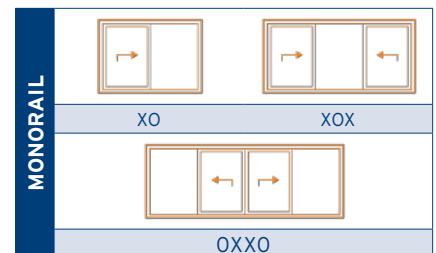


MONORAIL. A Monorail combines a movable vent on one side of the frame with a stationary glazed element anchored directly into the frame on the other, creating a minimalistic look. Utilizing a fixed panel in lieu of fixed vent reduces sight-lines while allowing for the integration of optional inward opening window(s) into the interior side of the frame. However, it is possible to mount the fixed portion on the outside, when glazing the unit from the exterior is desired.



2-RAIL, 3 RAIL & MULTI-RAIL. The outer door frames can be expanded from two (2) to eight (8) rails deep holding up to 16 panels; the combinations are endless, facilitating creative designs for very large openings. Any of the vents can be made into sliding elements, yielding a wide range a door combinations and flexibility for users.

POPULAR CONFIGURATIONS

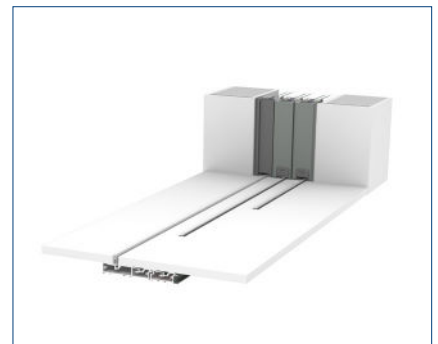
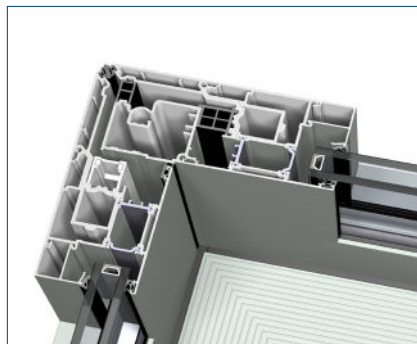
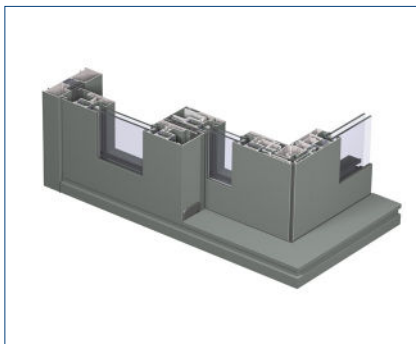


LIFT & SLIDE SYSTEM. A lift & slide system elevates the door panels before gliding them across the track, utilizing durable wheels and stainless steel rails for optimal opening comfort. When closed, the door leafs are anchored for maximum insulation, air & water tightness with a hermetical seal. This methodology eliminates brushes and other moving parts for worry-free maintenance.



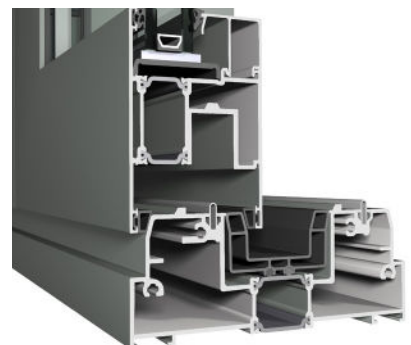
CORNER PROFILE. Open your space up to a full spectrum of un-interrupted panoramic views with an optional corner profile that transforms a lift & slide door into a post-less 90 degree opening solution.

POCKET SOLUTION. A solution without borders, allows up to eight vents to slide within a wall. Fully open up a room to the adjacent space beyond the door without any visible elements or obstructions. Achieve superior aesthetics by matching the color of the finishing profile to the supporting wall.



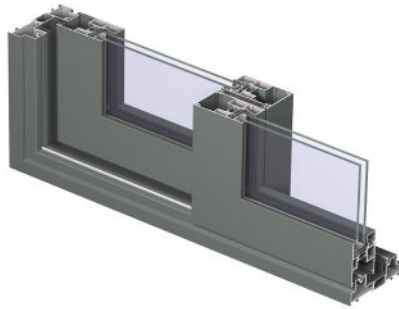
ZERO LEVEL (FLUSH) THRESHOLD. A seamless transition from interior to exterior with zero grade change. The drainage channel is located beneath the floor and the exterior drain tile for water infiltration. It available for 2, 3 and multi-rail doors.

FLAT THRESHOLD. A slim profile with a sleek design optimal for any space and ideal for renovation projects; available for Two (2) rail doors only.



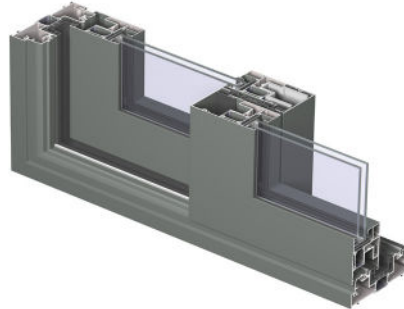
	Zero (Flush) Threshold		Flat Threshold	Standard Threshold	
	Floor Depth	Below Finished Floor	Full Height	Full Height	Profile Step
CP 130-LS	1 to 1 1/2 (in.)	2 7/8 (in.)	13/16 (in.)	1 7/8 (in.)	1 1/8 (in.)
CP 155-LS	1 to 1 1/2 (in.)	3 3/16 (in.)	13/16 (in.)	2 9/16 (in.)	1 1/4 (in.)

CONCEPT PATIO **CP 130-LS**



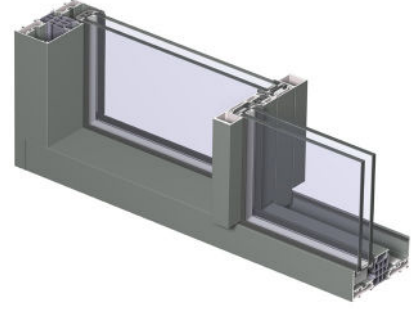
CP 130-LS is a refined lift-slide sliding doors system that is ideal for smaller patio doors up to 8' - 10" tall.

CONCEPT PATIO **CP 155-LS**



CP 155-LS has a robust functional profile yielding very large door leaves up to 882 lbs.

HI-FINITY SLIDING DOOR



HI-FINITY is characterized by minimal visible sight lines and infinite views.

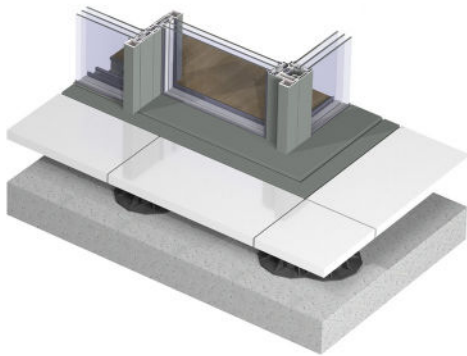


Scott DuBose Photography - Copyright 2017

Profile Dimensions		System Depth (in.)				Visible Width (in.)			Max Weight	Vent Min-Max Sizes (in.)			
		Frame			Vent	Frame	Frame-Vent	Interlock Vent-Vent		Min		Max	
		Mono	2-Rail	3-Rail					W	H	W	H	
CP 130-LS Functional Frame	Standard	5 1/8	5 1/8	8 1/4	2 5/8	13/8	5 1/4	3 7/8	661	30	33	98	106
CP 155-LS Functional Frame	Standard	6 1/8	6 1/8	9 1/2	3 3/16	115/16	6 3/8	4 1/2	882	32	74	98	120
Hi-Finity 147 Frame	Double Glazed	N/A	5 4/5	9 1/4	1 3/4	0	1/4	1 3/8	1200	40	71	90	144
Hi-Finity 179 Frame	Large Dbl. Glazed	N/A	7 1/16	11 1/8	2 3/8				1200	40	71	122	144
Hi-Finity 179 Frame	Triple Glazed	N/A							Custom Solution				

HI-FINTY SLIDING DOORS | PRODUCT SOLUTIONS

The innovative design of Hi-Finity is characterized by minimal visible sight lines and infinite views. Floor-to-ceiling glass surfaces seamlessly fade away the surface between interior and exterior environments creating the ultimate minimalistic appearance.



MAXIMUM COMFORT. High insulation with optional double or triple glazing give a feeling of comfort and warmth. Fully integrated frames create a flush threshold, allowing for easy entrance and accessibility.

ULTIMATE PERFORMANCE. Reynaers patented adjustable meeting section guarantees a perfect fit with ultimate performance in air and water tightness.

SLIDE WITH CONFIDENCE. The dedicated wheel base ensures fluid movement of the largest glass panes for easy manual operation.






CONFIGURATION OPTIONS. Multiple configurations and opening types, including 2-rail and 3-rails with a central closing solution, allow up to six movable glass panes within a single door frame.

HI-FINITY OPEN CORNER. Eliminate borders with a corner solution to open up spaces without a fixed corner element. When the sliding door is open, the corner is entirely free to experience a full spectrum of naturalistic views.

OPTIONAL ELECTRONIC LOCKING. A central locking mechanism, combined with layered glass, guarantees a high level of security. Electric locking and unlocking operated by a simple push of a button or via remote control, is secured with a bolt & hook.

THE HANDLE. Hi-Finity's character is also expressed by its unique handle. The handle design balances a minimalist presence with a strong expression. In a closed position, the handle makes a connection with the wall, seemingly melting into it.



Performance Specifications		CP 155-LS		CP 130-LS		Hi-Finity		
		Glazing	Double	Triple	Double	Triple	Double	Triple
	Thermal Insulation (Btu/hr-ft ² ·°F)	Uw	0.35	0.28	0.31	0.23	0.30	0.24
		SHGC	0.19	0.15	0.20	0.15	0.21	0.20
	Acoustic Performance ASTM E90-09/1332	STC	40		37		45	
		OITC	35		33		37	
	Air Tightness (cfm/ft ²)		0.16		0.16		0.08	
	AAMA Rating		LC PG40		LC PG40		CW PG30	
	Water Tightness (psf)		6		6		8	

All results based on gateway sizes; vary depending on glass/profile combinations | Above Uw & SHGC values do not necessarily work in combination

REYNAERS ALUMINIUM is a symbol of high quality architectural windows and doors.

Reynaers continually leverages the latest world-wide technology to evolve our products into engineering marvels that are aesthetically breathtaking.

THERMALLY BROKEN. Reynaers exclusive state-of-the-art thermally broken technology uses fiberglass reinforced polyamide strips, providing a best-in-class insulating system for top-notch energy performance.

ROBUST CORNER CONNECTIONS. Reynaers superior fit & finish is most evident through the quality of our corner connection. Our corners are joined using corner cleats and keys. Profiles are then crimped with epoxy to tightly secure profiles in place.

ENGINEERED & TESTED. Reynaers products are engineered and tested to handle all types of environmental conditions, incorporating design pressures certified by AAMA (American Architectural Manufacturers Association) for structural performance with exceptional air and water tightness. Testing reports / product simulations are available for various product configurations.

DRY GLAZING. Dry glazing offers easier installation in any weather condition and allows for simple on-site glass replacement without requiring removal of frames or panels. This method provides the ultimate in air & water infiltration performance with gaskets on both sides of the glass.

HIGH PERFORMANCE GLASS. Reynaers products feature Guardian® glazing and Cardinal® glass. These panels include double or triple pane Low-E glass for maximum heat resistance and energy performance. Our systems have been certified by the NFRC with SHGC coefficients and U-values which go above & beyond most local code requirements. NOTE: Hi-Finity sliding doors incorporate custom glass sourced only by Reynaers.

DESIGNED IN EUROPE,
WELL CRAFTED IN AMERICA